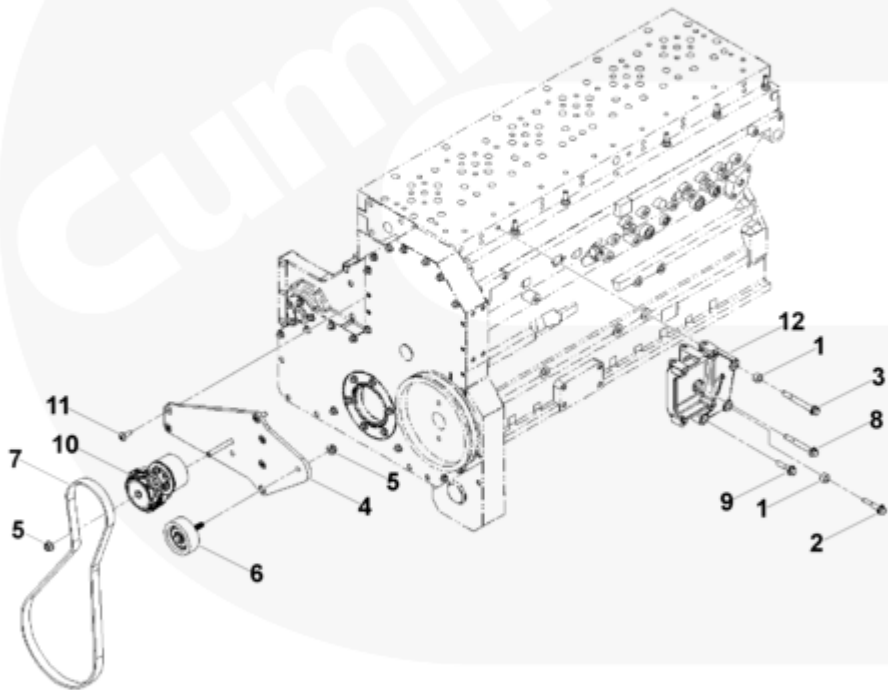




Parts Catalog - Option Detail

Electronic Parts Catalog - Option Detail				
Option	Group	Graphic	Film Card	Date
CF2010-08	12.05	cf200gv	II	23-DEC-04
Engines	ISM CM570, ISM CM570/870, ISM CM875, ISM CM876, ISM CM876 E, ISM11 CM876 M103, ISM11 CM876 SN, M11 CELECT, M11 CELECT PLUS, M11 MECHANICAL, QSM11 CM570, QSM11 CM876			

©Cummins Inc



cf200gv

[SMALL](#) | [MEDIUM](#) | [LARGE](#)

Cart	Ref No	Part Number	Part Description	Required	Remarks
View My Cart					
		CF2010-08	Refrigerant Compressor Mounting		REF Compressor Mounting

<input type="checkbox"/>	1	68368 A	Mounting Spacer	2	
<input type="checkbox"/>	2	3093807	Hexagon Flange Head Cap Screw	1	M10 X 1.50 X 50.
<input type="checkbox"/>	3	3093936	Hexagon Flange Head Cap Screw	1	
<input type="checkbox"/>	4	4920437	Belt Tensioner Bracket	1	
<input type="checkbox"/>	5	3902662	Hexagon Flange Nut	2	M10 X 1.50.
<input type="checkbox"/>	6	3104139	Idler Pulley	1	
<input type="checkbox"/>	7	4004824	V Ribbed Belt	1	
<input type="checkbox"/>	8	3896408	Hexagon Flange Head Cap Screw	1	
<input type="checkbox"/>	9	3925437	Hexagon Flange Head Cap Screw	1	M10 X 1.50 X 40.
<input type="checkbox"/>	10	3102888	Belt Tensioner	1	
<input type="checkbox"/>	11	4082717	Round Head Cap Screw	6	
<input type="checkbox"/>	12	4083105	Refrigerant Compressor Support	1	

© 2019 Cummins Inc., Box 3005, Columbus, IN 47202-3005 U.S.A.
Terms of Use and Disclaimers | Recommended System Requirements
Need Assistance? Please click on the Contact Us button in the top right corner of any page.